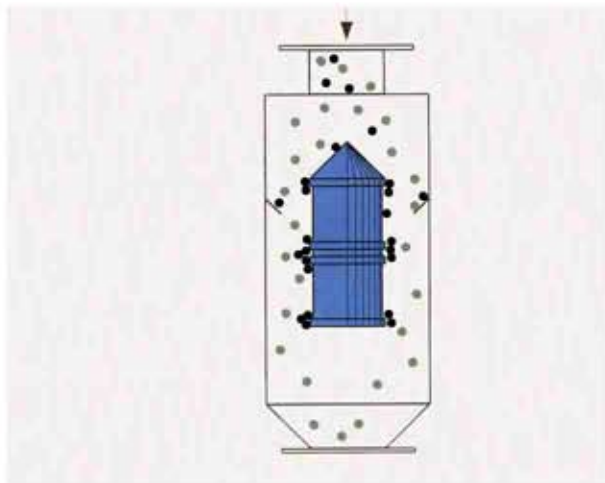


MAG Pipe Magnet Systems

Unit 6B, Aseman Tower, Khageh Abdollah Ansari St, Shariati Ave, Tehran-IRAN Tel/Fax: (+9821) 2285 7680-1 & 2286 6085-6

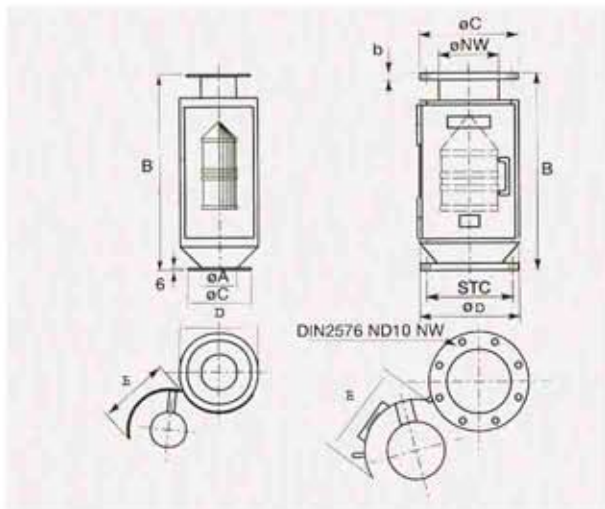


Permanent tube magnets.



The ferrous particles extracted the flow are collected behind the pole plates.

Art.no.	A	B	C	D	E	capacity (t/hr)*	weight (kg)
MAG 20.010	100	550	180	220	240	6	25
MAG 20.011	150	600	230	275	310	20	39
MAG 20.012	200	650	280	345	405	50	91
MAG 20.013	250	750	330	430	490	75	127
MAG 20.014	300	850	400	485	550	100	171
MAG 20.015	400	950	500	620	665	150	286
MAG 20.016	500	1100	600	780	770	200	480



Art.no.	NW	B	C	D	E	capacity (t/hr)*	weight (kg)
MAG 20.120	100	578	220	220	240	6	36
MAG 20.121	150	632	285	275	310	20	60
MAG 20.122	200	686	340	345	405	50	104
MAG 20.123	250	790	395	430	490	75	156

All dimensions in mm

* applies to dry, granular materials